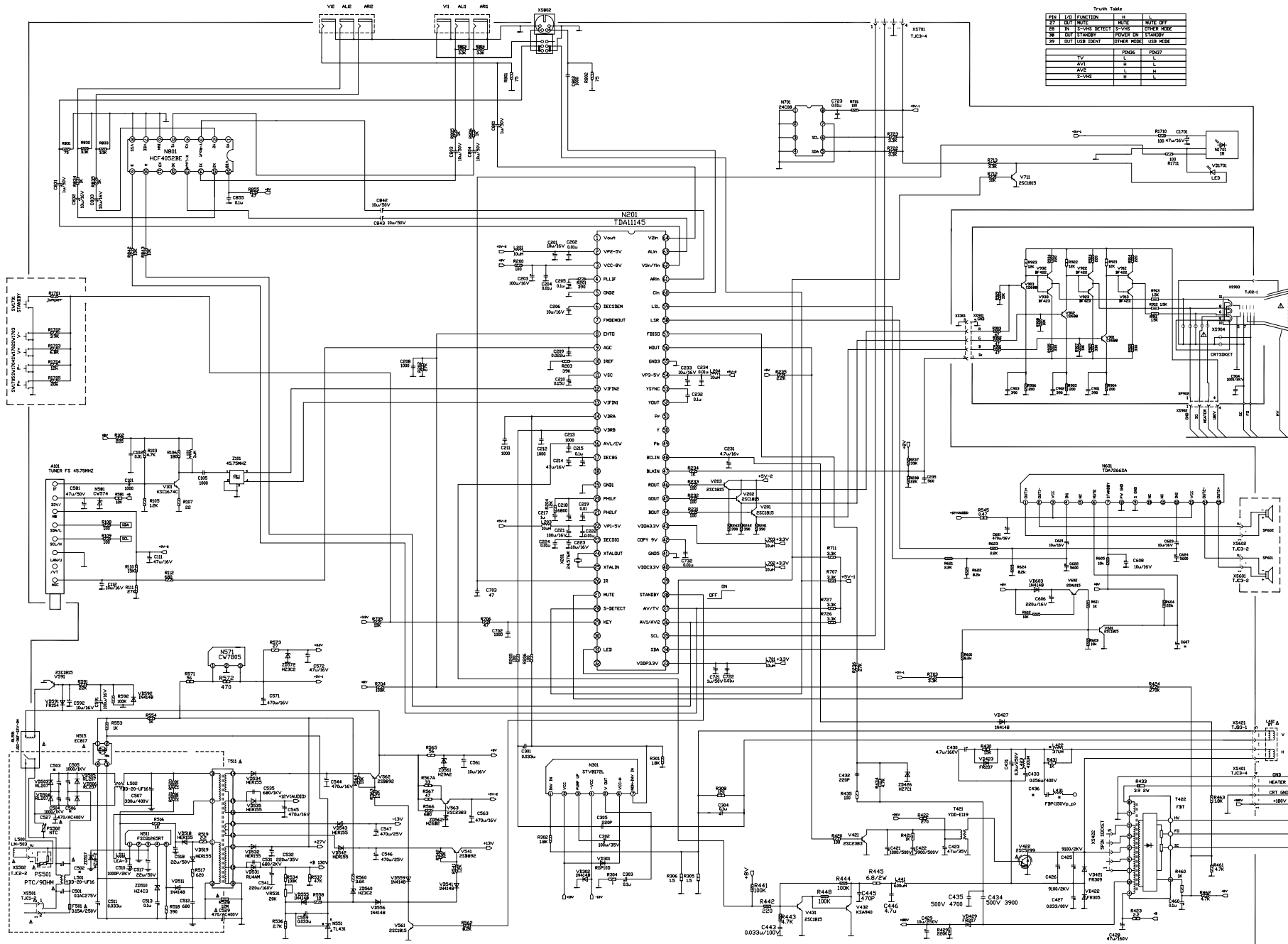


# UOCTOP64-MONO110-SCH(AV STEREO+FAIRCHILD POWER+TDA7266SA+AKB)



Truth Table

FN	LOG FUNCTION	H	L
27	OUT MUTE	MUTE	MUTE OFF
28	OUT LEVEL SELECT	L-CH	POWER MODE
29	OUT STANDBY	POWER ON	STANDBY
30	OUT LOG SELECT	STEREO MODE	LOG MODE
		F206	F207
		L	L
		L	L
		L	L
		L	L

This circuit diagram is only for reference, specifications are subject to change without notice.  
 Component having special safety-related characteristics are Indented by marking "▲" Always be certain that the specified replacement parts are used.